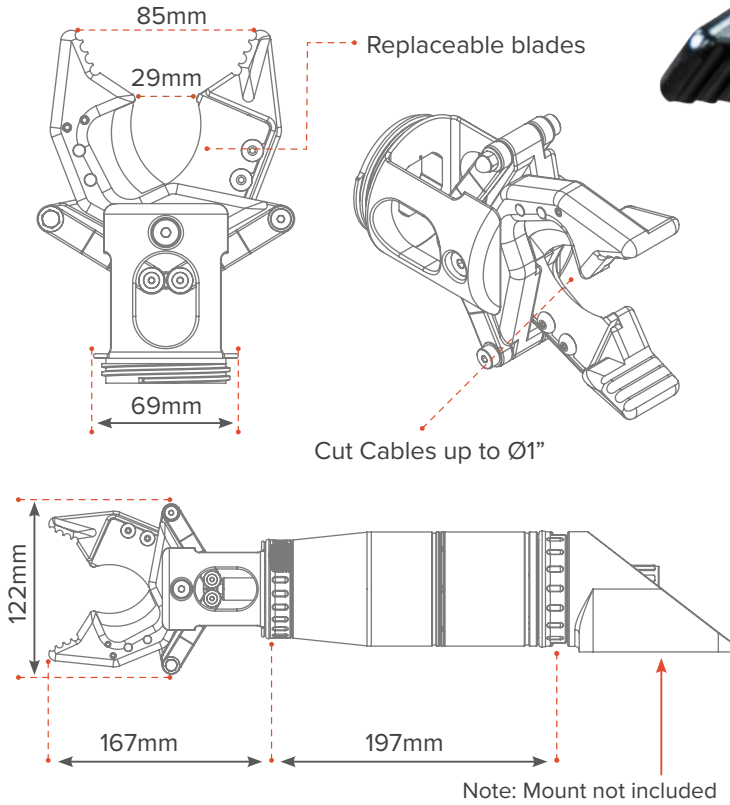


ROTATING CUTTER

A High-Force Linear Cutter for Inspection Class Vehicles

A new cutting capability for smaller ROVs



COMPACT AND POWERFUL

The Bravo Rotating Cutter is a high-force system that blends two state-of-the-art actuators to give a precise, high force cutting and grabbing action. The Rotating Cutter can sever soft-line rope and conduit cable up to 1" diameter, perfect for cutting tangled net or wire in recovery operations. Experience unparalleled force in a unit of this size and extend the capability of small unmanned vehicles during complex operations.

SPECIFICATIONS

Wrist Torque	20Nm
Axial Load Rating	200Kg
Velocity	5.3 mm/s
Rotate Speed	45°/s
Rotate Accuracy	0.1°
Grab Force	1 Ton
Outer Diameter	84mm
Connector cable	13 Pin Ethernet Subcon (DBH13M)
Control Options	Space Mouse, Software GUI, Topside Master Arm
Control Modes	Position, Velocity

ELECTRICAL

Voltage 24-48V
Wattage 60W
COMS RS232/ RS485/Ethernet

ENVIRONMENTAL

Depth 300M
Temp -10°C to 35°C
Material AL6061

MECHANICAL

Weight (Air) 2.6Kg
Weight (Water) 1.45Kg



A Revolution for Subsea Inspection & Intervention



Responsive
Integration Support



Responsive
Remote Support



12 Month
Warranty



Extended Warranty, Spares &
Service Plans Available



1000+ Hours
Logged