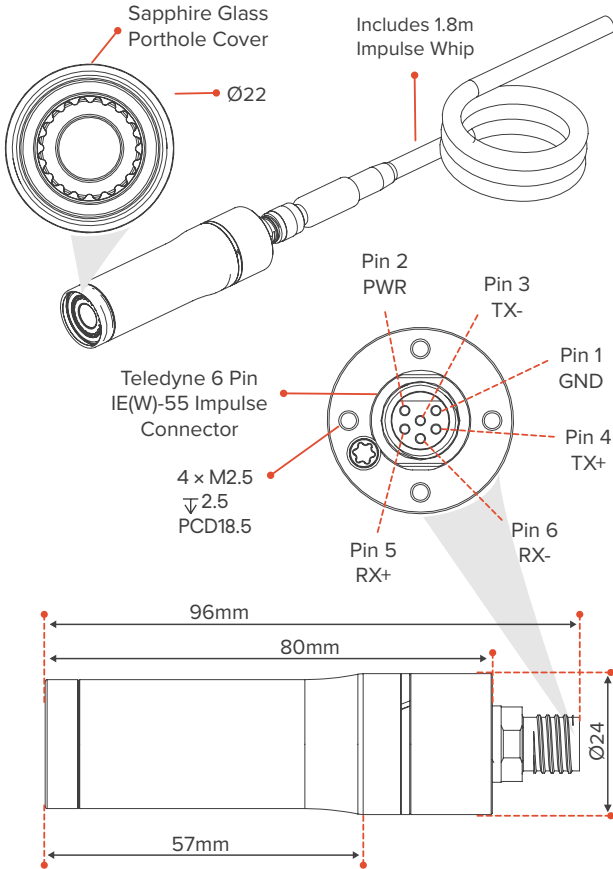


MICRO IP CAMERA

Smallest 300m IP camera for underwater inspection

Clear vision where it's most needed



NOTE:
For alpha owners, note that this camera is independent of Reach Alpha integration. Camera whip must be wired to an ethernet port and power (18-48V).



YOUR EYES, UNDERWATER.

The Micro IP Camera allows clear, uninhibited vision in subsea environments. Featuring simple integration via an impulse connector, the Micro IP Camera is compatible with Reach Alpha manipulators, subsea vehicles and other devices. Improve your situational awareness, task accuracy and efficiency with the addition of the Micro IP Camera today.

ELECTRICAL

COMS	Ethernet
Voltage	12-48V

ENVIRONMENTAL

Depth	300MSW
Temp	-10°C to 35°C
Material	AL6061

FEATURES

- 1080p Resolution
- 2MP IP Camera
- High performance in low light conditions
- 2.8mm Standard Focal Length
- 130° FOV
- Minimum Illumination (LUX): 0.01
- Latency: <200ms

A **Revolution** for Subsea Inspection & Intervention



Responsive
Integration Support



Responsive
Remote Support



12 Month
Warranty



Ext. Warranty, Spares
Packages & Service Plans
Available



1000+ Hours
Logged