

# BRAVO ROTATING GRABBER

A Tough, 2-Function Manipulator for Inspection Class Vehicles



All Electric ———→

## Be Confident.

The Bravo Rotating Grabber is a 2-Function manipulator that opens up new compact inspection and intervention opportunities for service providers, researchers, and other operators.

The Rotating Grabber blends two state-of-the-art actuators to give a precise, high strength grip. With the combination of a powerful linear and continuous rotatory actuator, it extends the capability of small unmanned vehicles to manipulate and recover objects in complex environments.

## Take Hold.

### FEATURES

- Ready-built and designed for industry leading inspection-class vehicles
- All-Electric, Zero Oil
- Rapid change End-Effectors - swap in minutes for efficient, on-site tooling requirements
- Advanced software interface with 3D visualisation
- Adjustable grab force - pick up a sea urchin or cut a cable
- Quick to integrate
- Corrosion and scratch resistant (AL6061)
- Quick-release mounting kit available

- ◀ **MODULAR**  
2-Function  
Highly Configurable
- ◀ **RUGGED**  
300m Depth Rating  
200kg Axial Load
- ◀ **SMART**  
In-Built Kinematics  
Master Arm Controlled

Note: Mounting Kit not included



## Mission Specific End-Effectors | *Interchange With Ease*

Parallel Jaws



SS Wide Quad Jaws



Quad Jaws



Cable Cutter



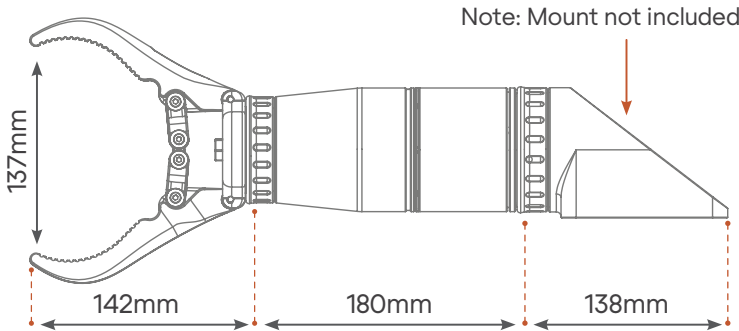
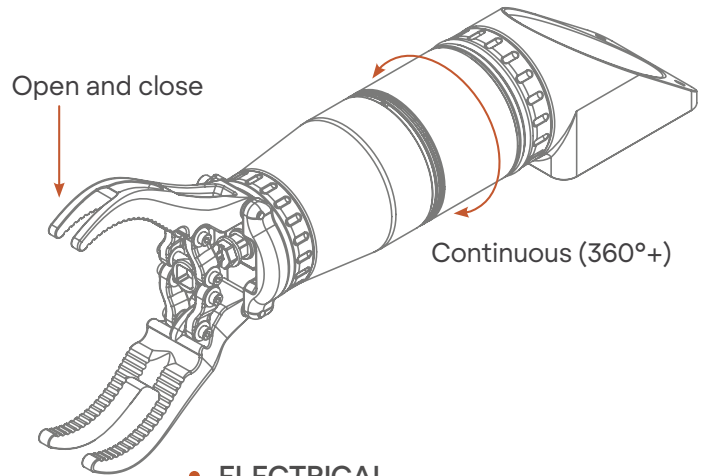
Interlocking Quad Jaws



## SPECIFICATIONS

Wrist Torque	20Nm
Axial Load Rating	200kg
Rotate Speed	45°/s nominal
Rotate Accuracy	0.1°
Linear Grab Force	1000N
Outer Diameter	84mm
Connector cable	13 Pin Ethernet Subcon (DBH13M)
Control Options	Space Mouse, Software GUI, Topside Master Arm
Control Modes	Position, Velocity

### High Mobility & Compact



### ELECTRICAL

Voltage	24-48V
Wattage	60W
COMS	RS232/RS485/Ethernet

### ENVIRONMENTAL

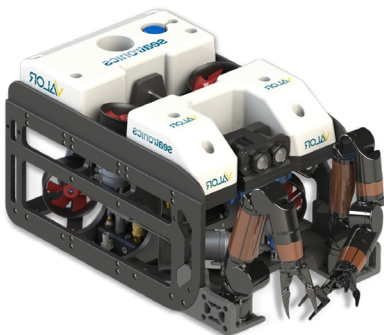
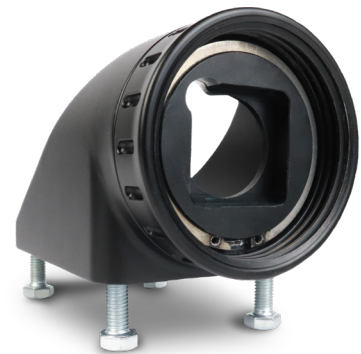
Depth	300M
Temp	-10°C to 35°C
Material	AL6061

### MECHANICAL

Weight (Air)	2.8Kg
Weight (Water)	1.6kg

### Integration Made Easy

Integrate Reach Bravo manipulators with our mounting unit, designed for simple installation on industry leading vehicles. A screw collar system lets you mount and unmount in seconds.



Designed for Leading ROVs

## A Revolution for Subsea Inspection & Intervention



Responsive  
Integration Support



Responsive  
Remote Support



12 Month  
Warranty



1000+ Hours  
Logged



Extended Warranty,  
Spares Packages &  
Service Plans Available