

# ALPHA MOUNTING KIT

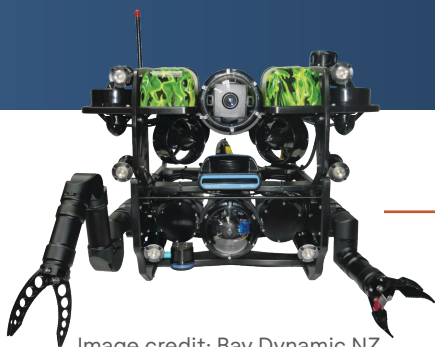
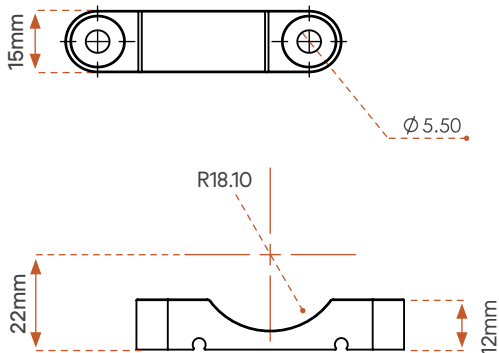
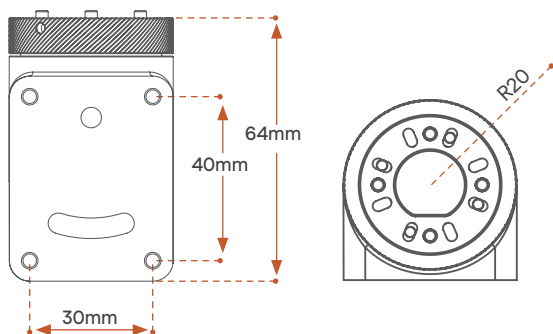
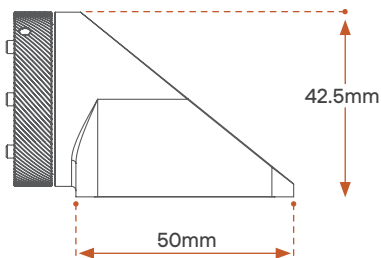


Image credit: Bay Dynamic NZ

Integration Made Easy  
Alpha 3 and 5 integrated using  
the RA Mounting Kit

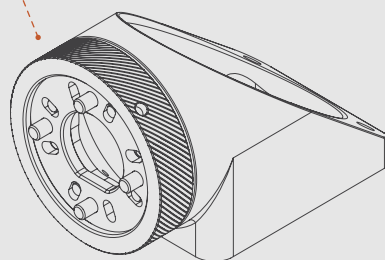


## Integrate securely.

The Alpha Mounting Kit is designed for simple ROV integration of Reach Alpha grabbers and manipulators. The quick release collar and attachment options at every 45° increment make this the most customisable mount of its kind.

Be adventurous, knowing the intelligent design is made to absorb large stresses and protect your product from external impacts.

Screw Collar for easy deployment and storage of our underwater robotic grabbers.



## A Revolution for Subsea Inspection & Intervention



Responsive  
Integration Support



Responsive  
Remote Support



12 Month  
Warranty



1000+ Hours  
Logged



Extended Warranty,  
Spares Packages &  
Service Plans Available